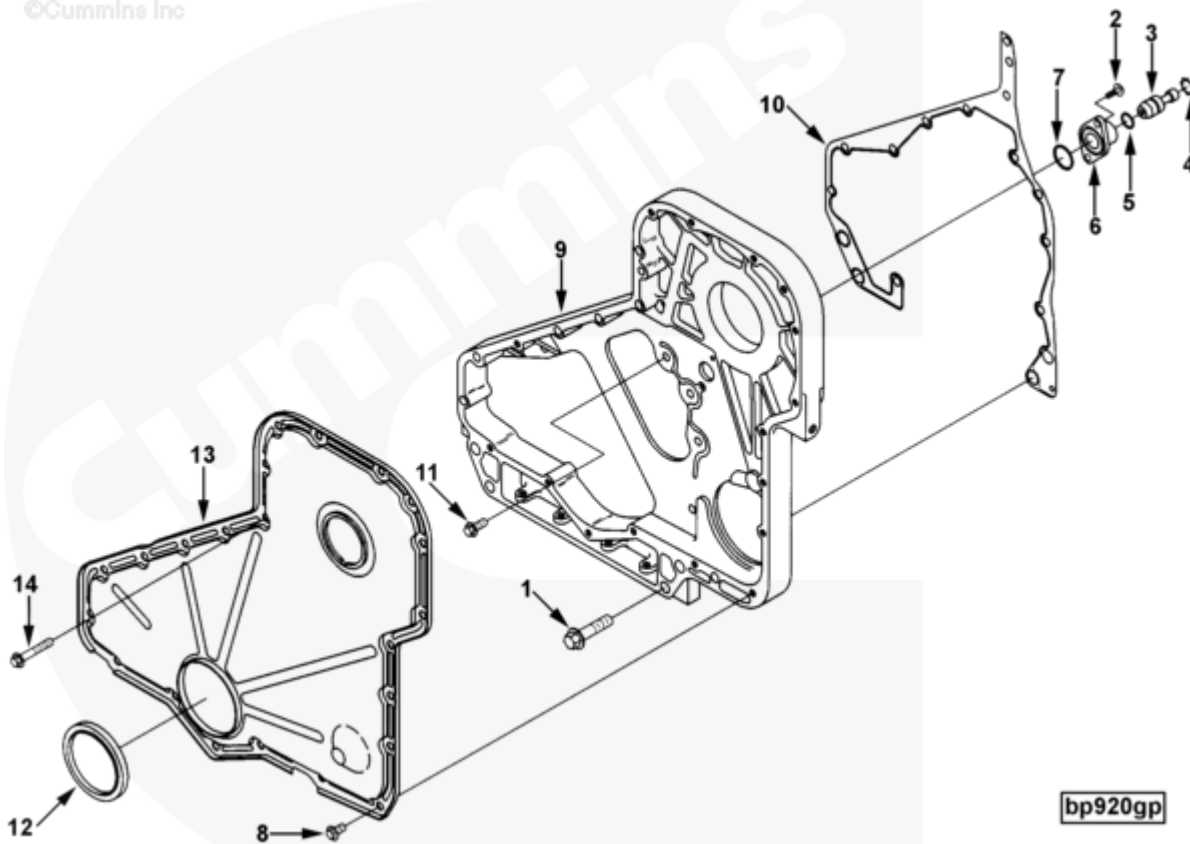




## Parts Catalog - Option Detail

| Electronic Parts Catalog - Option Detail |  |         |           |           |
|--|--|---------|-----------|-----------|
| Option                                   | Group  | Graphic | Film Card | Date      |
| BP97016-02                               | 01.06  | bp920gp | Z         | 05-DEC-01 |
| <b>Engines</b>                           | 6C8.3, C GAS PLUS CM556, G8.3, G8.3 CM558, GTA8.3 CM558, ISC CM2150, ISC CM554, ISC CM850, ISC8.3 CM2250, ISC8.3 G CM2180 C101, ISL CM2150, ISL CM554, ISL CM850, ISL G CM2180, ISL8.9 CM2150 L110, ISL8.9 CM2880 L112, ISL9 CM2150 SN, ISL9 CM2250, ISL9 CM2350 L101, ISL9 CM2350 L111, ISLE4 CM850, L GAS PLUS CM556, L8.9, L8.9 L121, L8.9G CMOH2.0 L125B, L9 CM2350 L116B, L9 CM2350 L119B, L9 CM2350 L120C, L9 CM2350 L123B, L9.3 L105, L9.5 L117, L9N CM2380 L124B, QSC8.3 CM2250, QSC8.3 CM2880 C102, QSC8.3 CM554, QSC8.3 CM850(CM2850), QSL9 CM2250, QSL9 CM2250 L115, QSL9 CM2350 L102, QSL9 CM2350 L107, QSL9 CM2350 L118, QSL9 CM2350 L122, QSL9 CM554, QSL9 CM850(CM2850), QSL9 G CM558, QSL9 M CM2250 L106, QSL9.3 CM2880 L113 |         |           |           |



**bp920gp**

[SMALL](#) | [MEDIUM](#) | [LARGE](#)

| Cart                         | Ref No | Part Number                | Part Description | Required | Remarks                |
|------------------------------|--------|----------------------------|------------------|----------|------------------------|
| <a href="#">View My Cart</a> |        |                            |                  |          |                        |
|                              |        | <a href="#">BP97016-02</a> | Front Gear Cover |          |                        |
|                              |        |                            |                  |          | Family: C Series       |
|                              |        |                            |                  |          | Structure Code: 02 EBM |

|                          |    |                         |                               |    |                             |
|--------------------------|----|-------------------------|-------------------------------|----|-----------------------------|
|                          |    |                         |                               |    | Noise Dampening Panel       |
|                          |    |                         |                               |    | Provision: No               |
|                          |    |                         |                               |    | PTO Location: High          |
|                          |    |                         |                               |    | Front Support Provision: No |
|                          |    |                         |                               |    | Access for Tach Drive: Yes  |
|                          |    |                         |                               |    | Gear Housing Material: Cast |
|                          |    |                         |                               |    | Aluminum                    |
|                          |    |                         |                               |    | Fuel Pump:                  |
|                          |    |                         |                               |    | Bosch P3000                 |
|                          |    |                         |                               |    | Bosch P7100                 |
|                          |    |                         |                               |    |                             |
| <input type="checkbox"/> | 1  | <a href="#">3902116</a> | Hexagon Flange Head Cap Screw | 4  | M12 X 1.75 X 50.            |
| <input type="checkbox"/> | 2  | <a href="#">3907998</a> | Round Head Cap Screw          | 2  | M5 x 0.80 x 17              |
| <input type="checkbox"/> | 3  | <a href="#">3903924</a> | Timing Pin                    | 1  |                             |
| <input type="checkbox"/> | 4  | <a href="#">3904849</a> | Retaining Ring                | 1  |                             |
| <input type="checkbox"/> | 5  | <a href="#">3913994</a> | O-Ring Seal                   | 1  |                             |
| <input type="checkbox"/> | 6  | <a href="#">3919683</a> | Timing Pin Housing            | 1  |                             |
| <input type="checkbox"/> | 7  | <a href="#">3915772</a> | Rectangular Ring Seal         | 1  |                             |
| <input type="checkbox"/> | 8  | <a href="#">3900629</a> | Hexagon Flange Head Cap Screw | 17 | M8 X 1.25 X 16              |
| <input type="checkbox"/> | 9  | <a href="#">3929555</a> | Gear Housing                  | 1  |                             |
| <input type="checkbox"/> | 10 | <a href="#">3938737</a> | Gear Housing Gasket           | 1  |                             |
| <input type="checkbox"/> | 11 | <a href="#">3926846</a> | Hexagon Flange Head Cap Screw | 5  | M8 X 1.25 X 20.             |
| <input type="checkbox"/> |    | <a href="#">4025270</a> | Front Seal Service Kit        | 1  | Includes Installation Tool  |
|                          | 12 | <a href="#">3921927</a> | Oil Seal                      | 1  |                             |
|                          | 13 | <a href="#">3925231</a> | Gear Cover                    | 1  |                             |
| <input type="checkbox"/> | 14 | <a href="#">3926863</a> | Hexagon Flange Head Cap Screw | 6  | M8 X 1.25 X 50.             |

© 2019 Cummins Inc., Box 3005, Columbus, IN 47202-3005 U.S.A.  
Terms of Use and Disclaimers | Recommended System Requirements  
Need Assistance? Please click on the Contact Us button in the top right corner of any page.